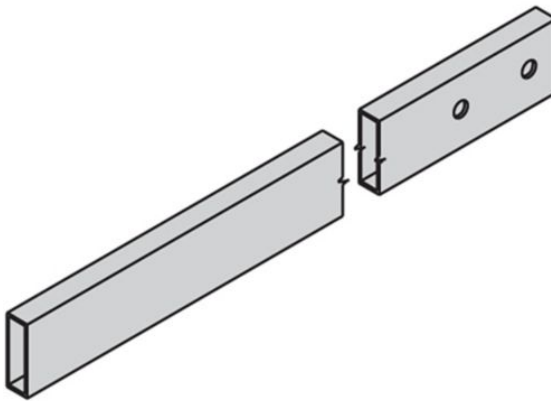


# Eaton SB200305YZ

Catalog Number: SB200305YZ

Eaton auxiliary support tube, Steel, Includes pre-assembled tube, spacer and hardware, Used as an auxiliary support, 5" length, Yellow zinc, 2" X 9/16" Support tube

## General specifications



<b>Product Name</b>	<b>Catalog Number</b>
Eaton auxiliary support tube	SB200305YZ
<b>UPC</b>	<b>Product Length/Depth</b>
799038015307	5 in
<b>Product Height</b>	<b>Product Width</b>
2 in	0.5625 in
<b>Product Weight</b>	<b>Certifications</b>
5 lb	Not Applicable

## Product specifications

### Color

Gray

### Model

2" X 9/16" support tube

### Material

Steel

### Finish

Yellow zinc chromate

## Resources

### Catalogs

[auxillary supports](#)

### Specifications and datasheets

[Eaton Specification Sheet - SB200305YZ](#)



Eaton Corporation plc  
Eaton House  
30 Pembroke Road  
Dublin 4, Ireland  
Eaton.com  
© 2023 Eaton. All Rights Reserved.

Eaton is a registered trademark.

All other trademarks are property of their respective owners.



[Eaton.com/socialmedia](https://www.eaton.com/socialmedia)